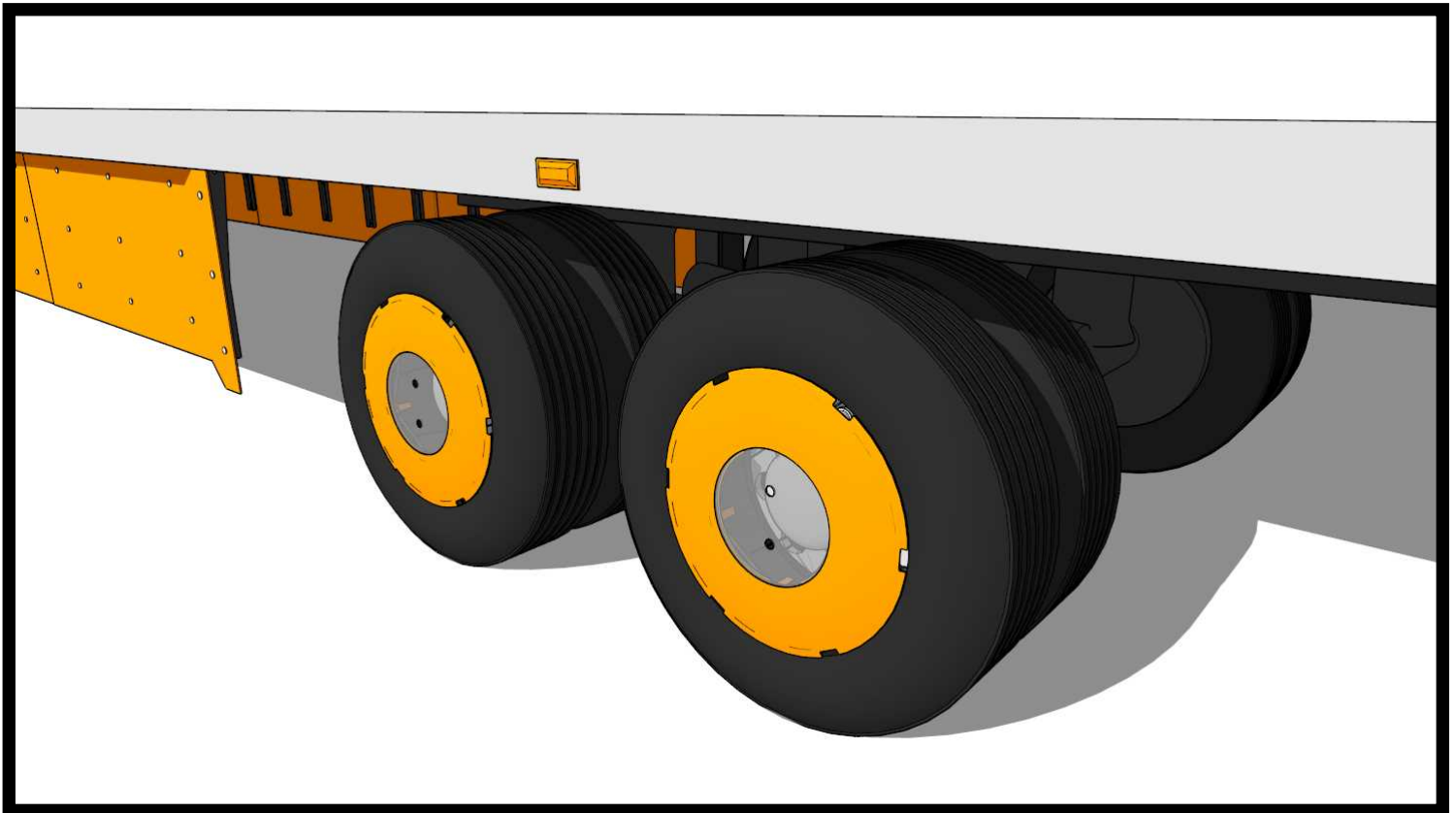




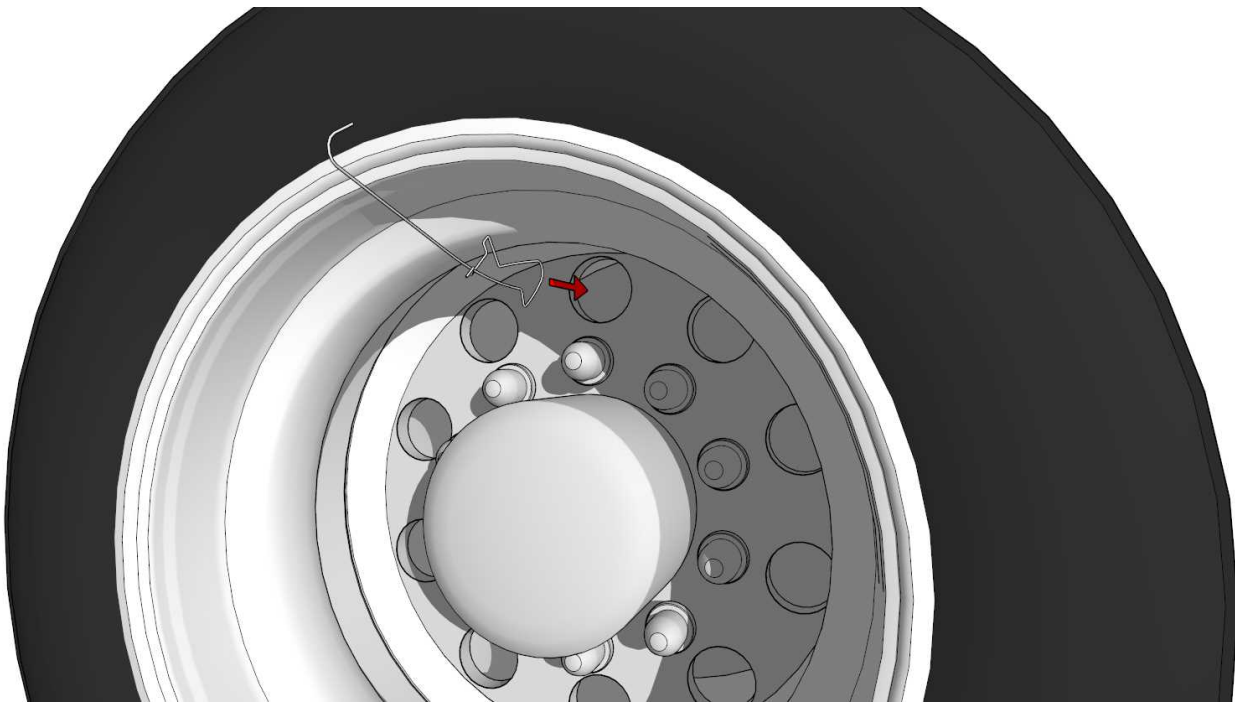
**Installation Instructions:**  
**Wheel Covers**  
**-for-**  
**Alloy Rims**





## *Proper Mounting Procedure for Wheel Covers*

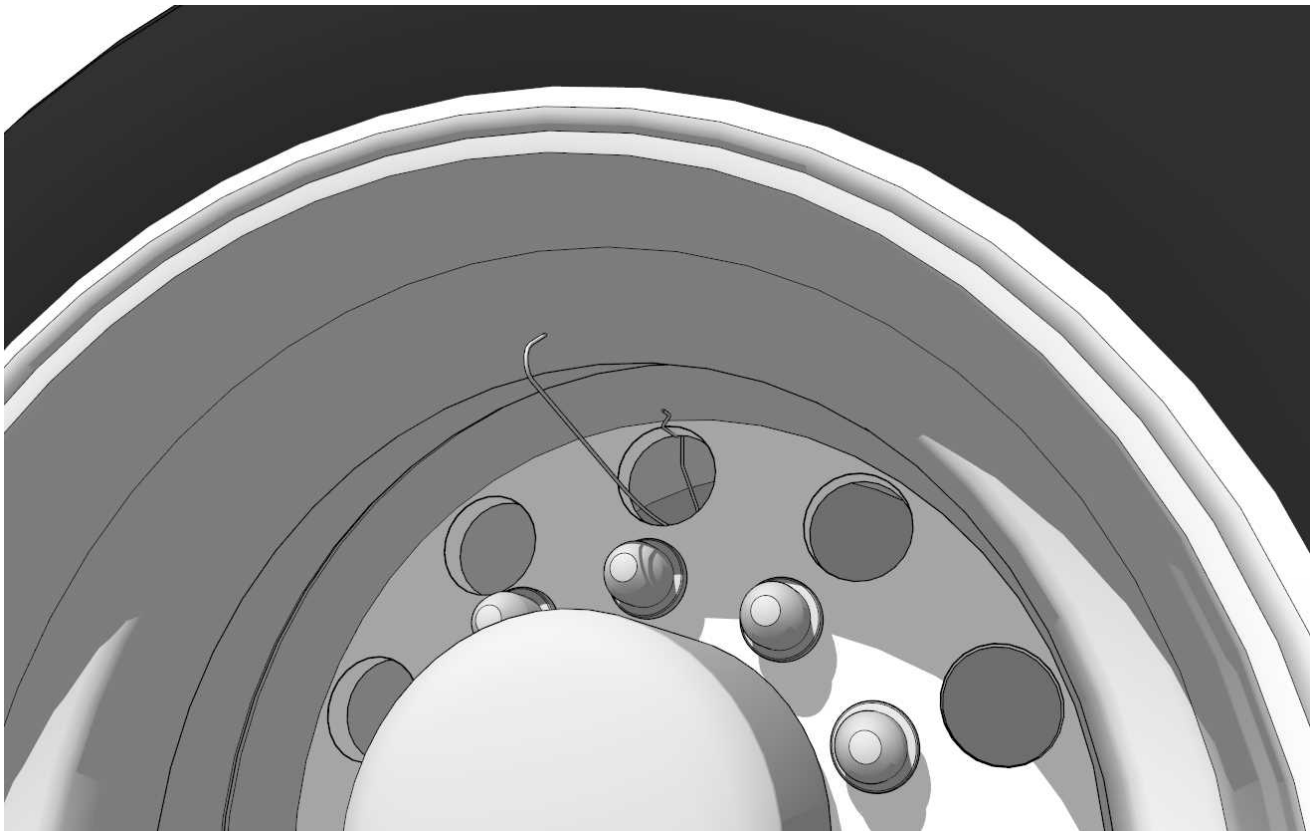
**Step 1: Pinch the loop of Mounting Wire so that it hooks onto itself as illustrated. Insert into hole in truck rim.**





## **Proper Mounting Procedure for Wheel Covers**

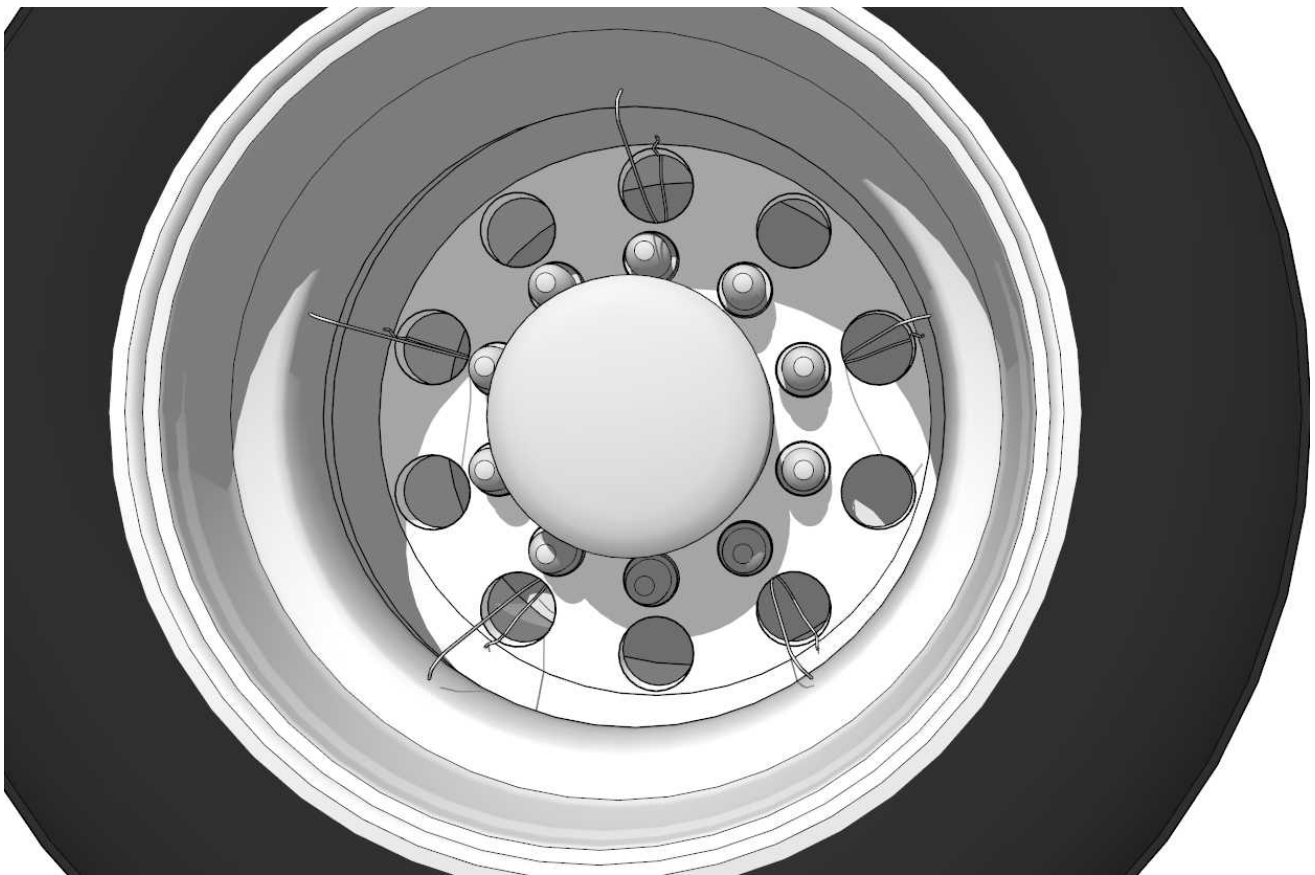
**Step 2: Unhook the Mounting Wire after it has been placed inside the hole. The wire should fill the hole as illustrated below. If necessary, move the Mounting Wire in or out until it snaps into place.**





## *Proper Mounting Procedure for Wheel Covers*

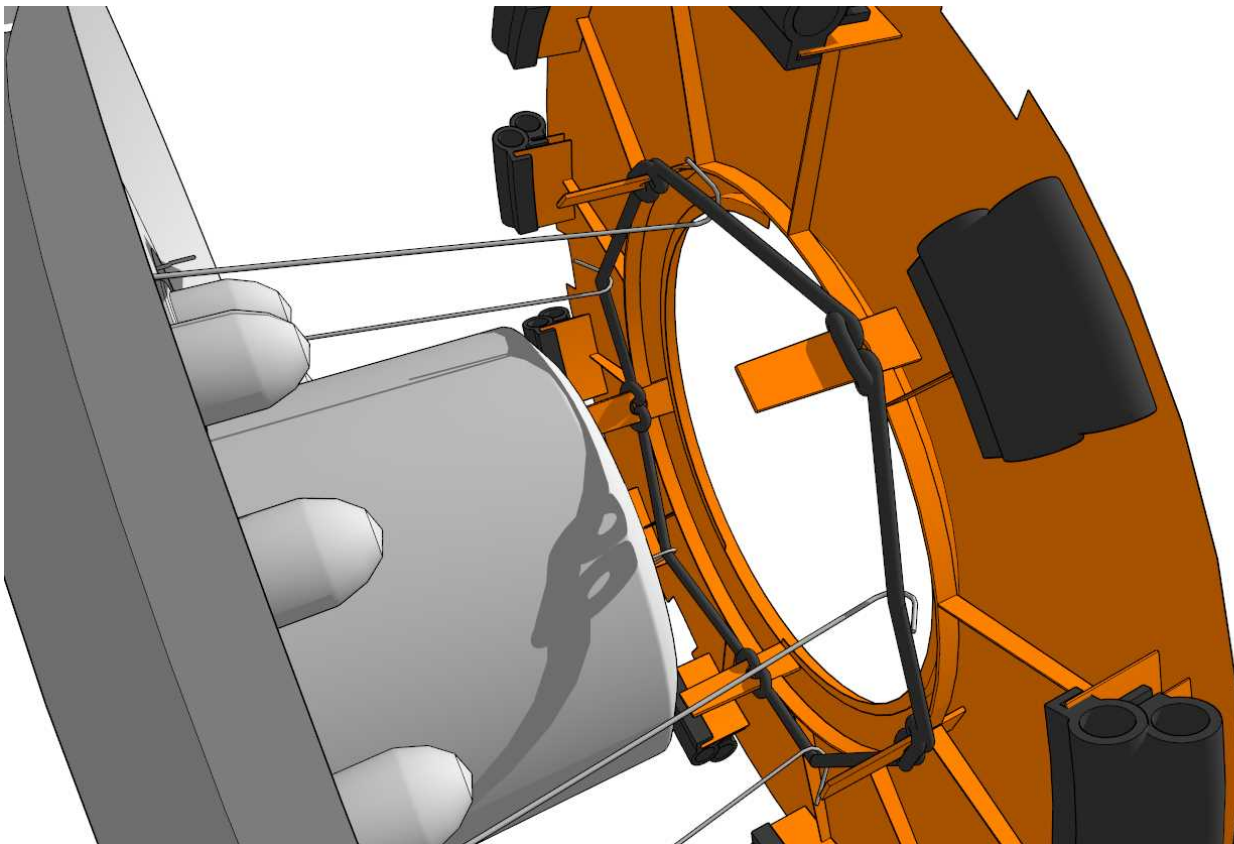
**Step 3: Repeat same procedure around the rim, skipping every other hole.**





## *Proper Mounting Procedure for Wheel Covers*

**Step 4: Place Wheel Cover on rim so that the rubber cushions fit securely and Cover is concentric to the rim. Hook flexible band into each Mounting Wire loop around rim. When finished, Wheel Cover should be tight and secured to the rim.**

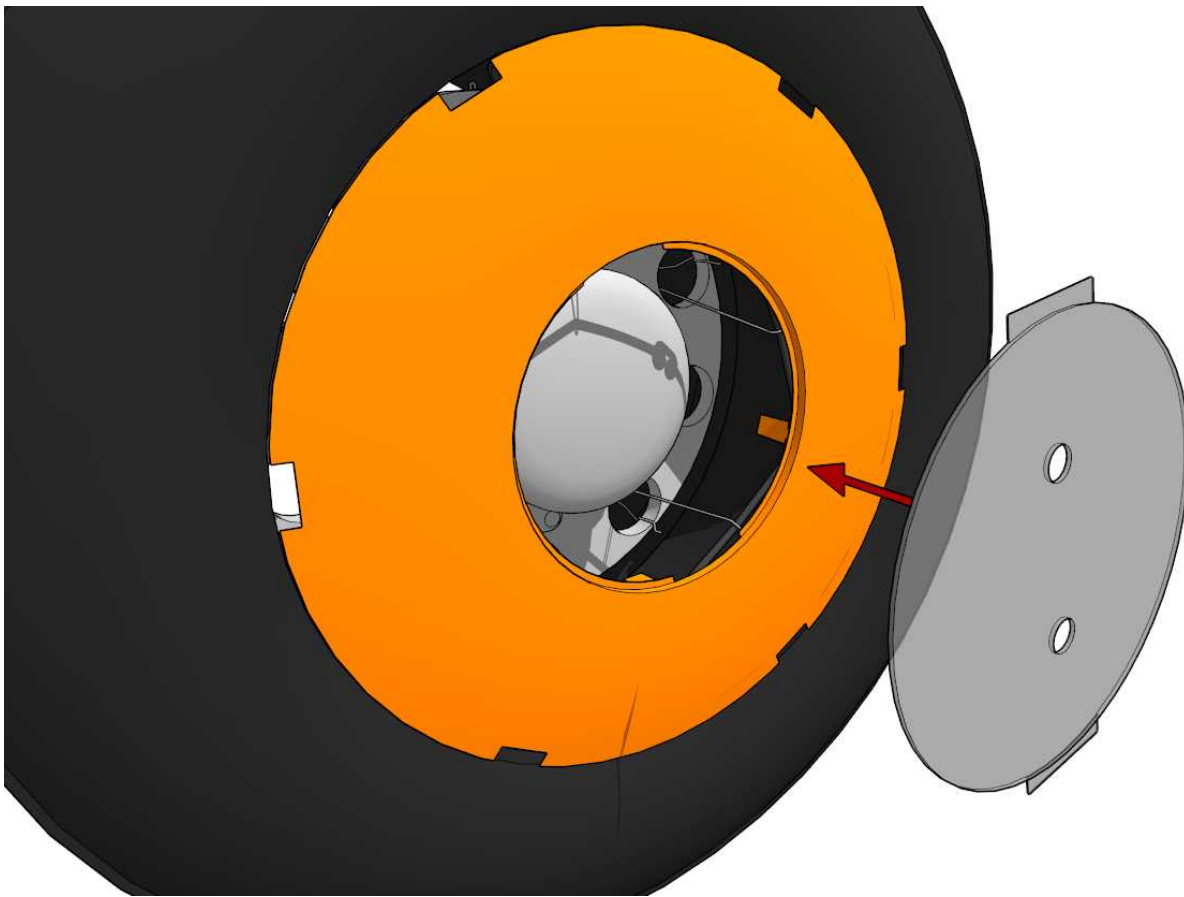


*Figure 4-1: Wheel partially omitted for clarity*



## *Proper Mounting Procedure for Wheel Covers*

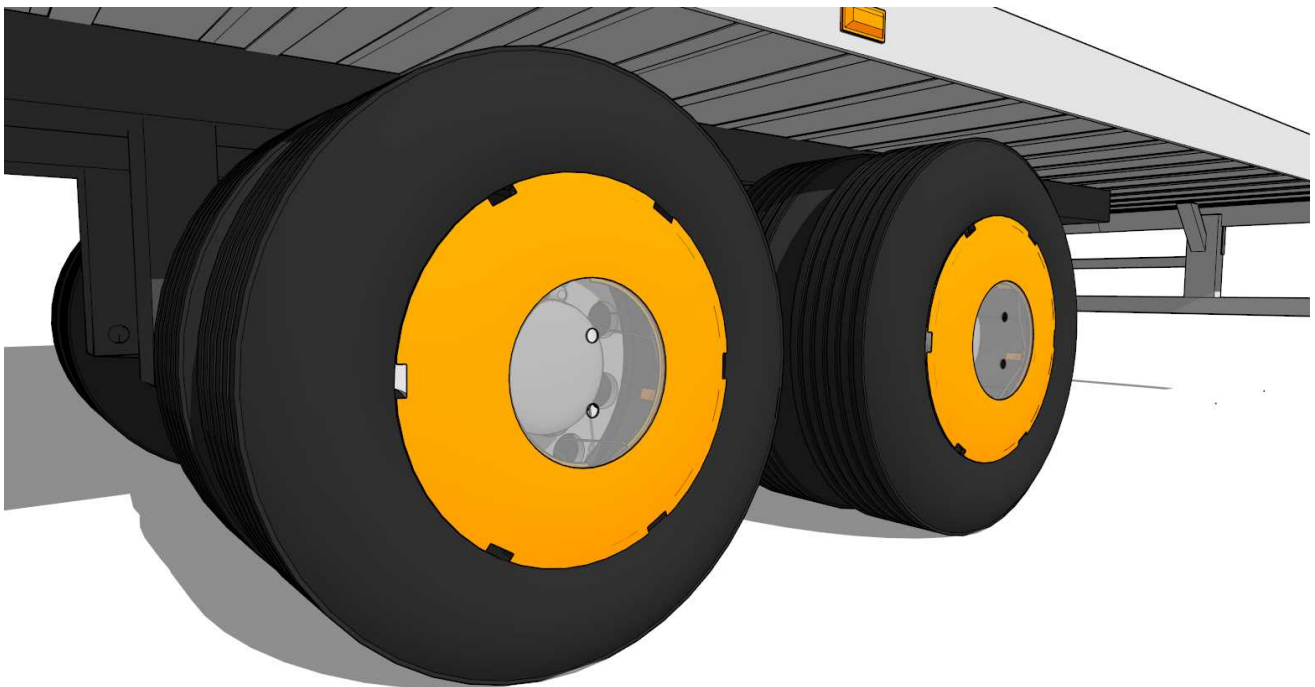
**Step 5: Place Center Hub into Wheel Cover, aligning tabs on Center Hub with the notches on the Wheel Cover. It will be necessary to slightly flex the Center Hub so that it fits into both notches.**





## *Proper Mounting Procedure for Wheel Covers*

**Final Assembly:**



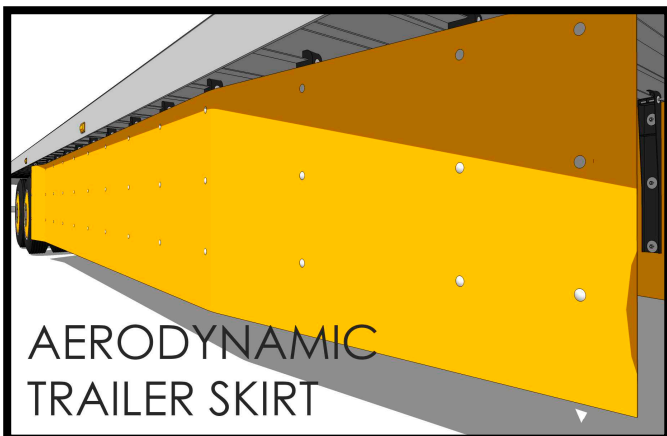


## *Proper Mounting Procedure for Wheel Covers*

Should any questions arise about this or any other Aerotech Caps product, please feel free to contact us at:

**616-252-9110**

**Visit our website for more fuel saving options!**



**[www.aerotechcaps.com](http://www.aerotechcaps.com)**

**Thank you for being an Aerotech Caps customer!**