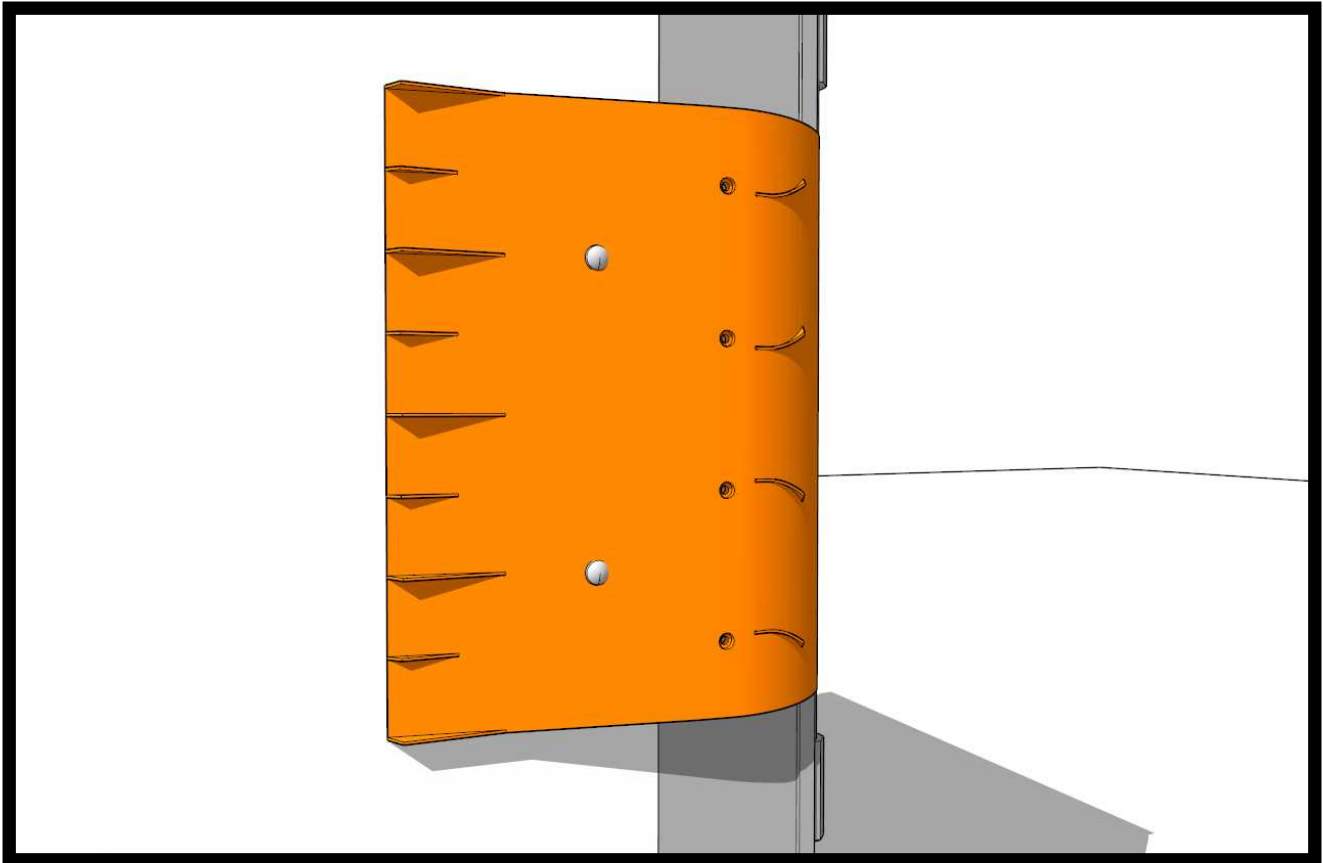




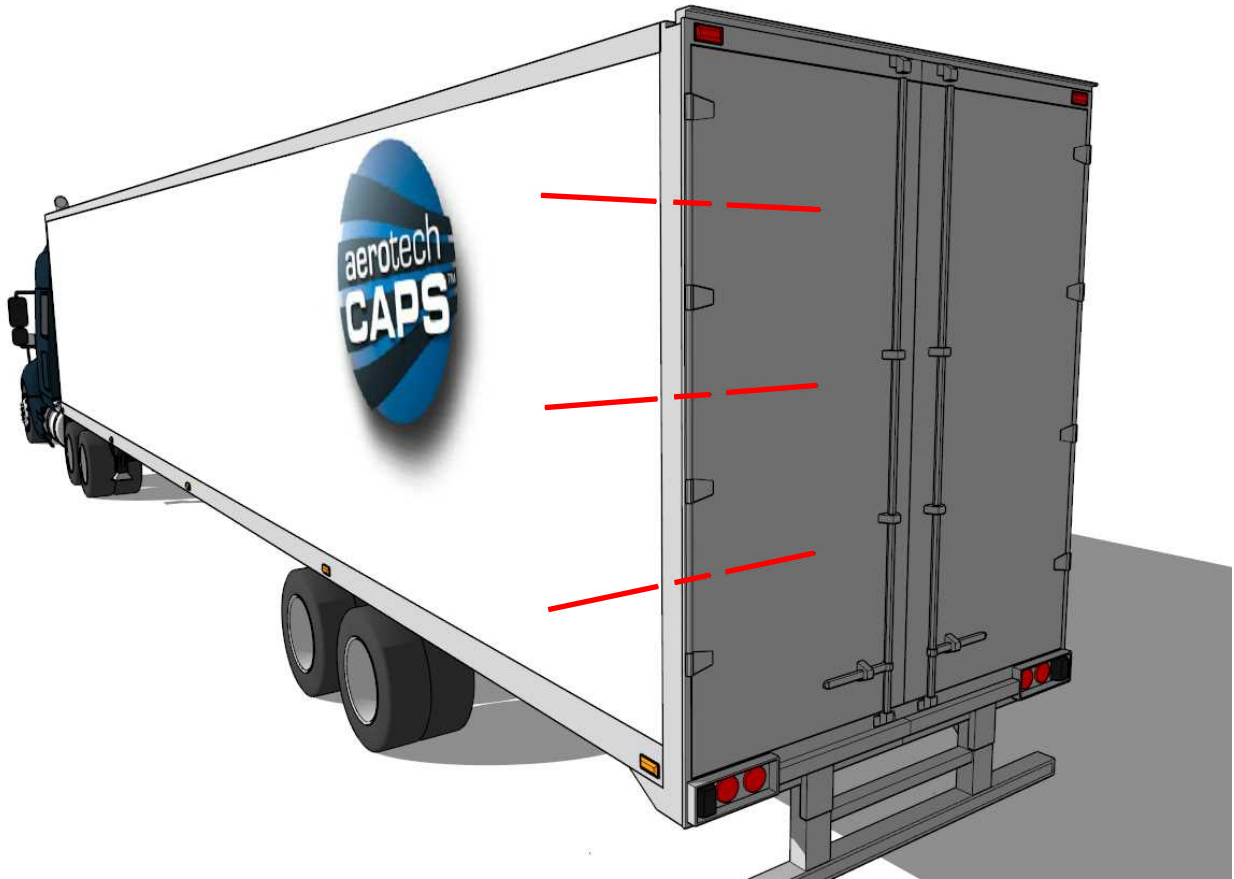
# Installation Instructions -for- Side Fairings





## Proper Mounting Procedure for Side Fairings

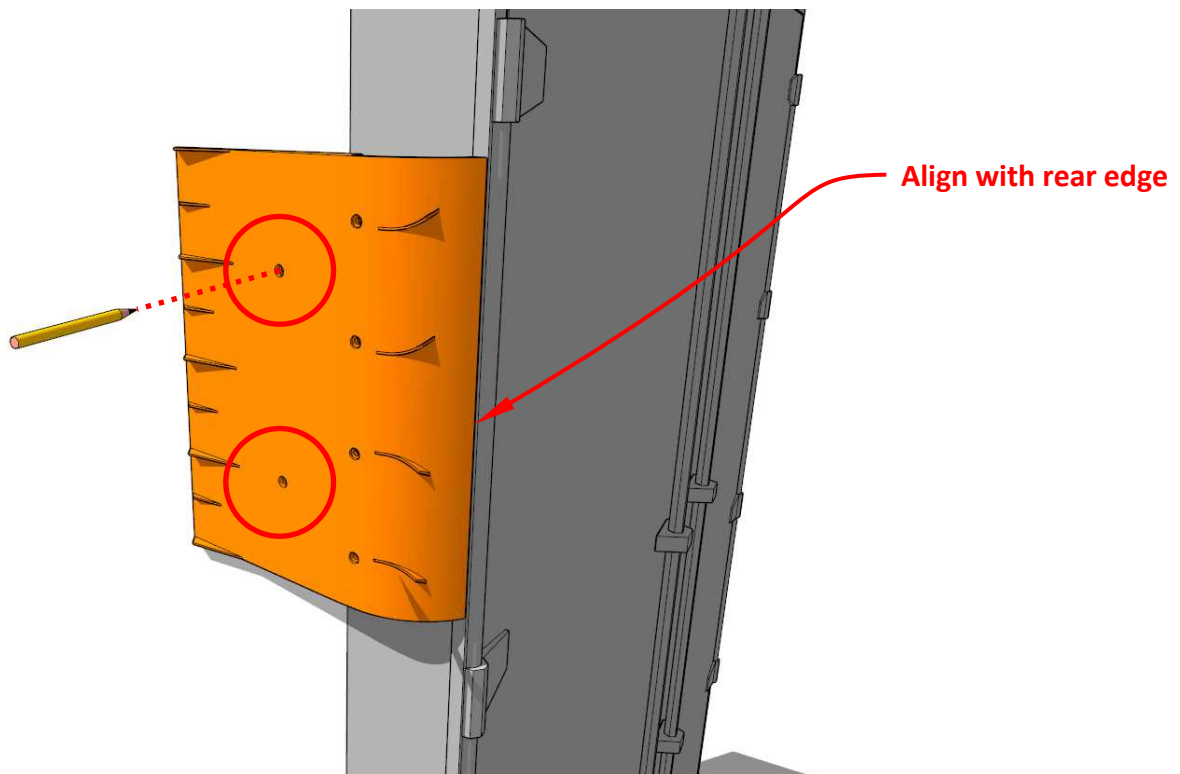
**Step 1: Locate the midpoint between rear hinge straps. Make a small mark on the door frame aligned with the midpoint.**





## Proper Mounting Procedure for Side Fairings

**Step 2: Hold Fairing on the rear edge of the trailer, matching the middle of the Fairing to the mark. Make a mark at the two holes shown below.**

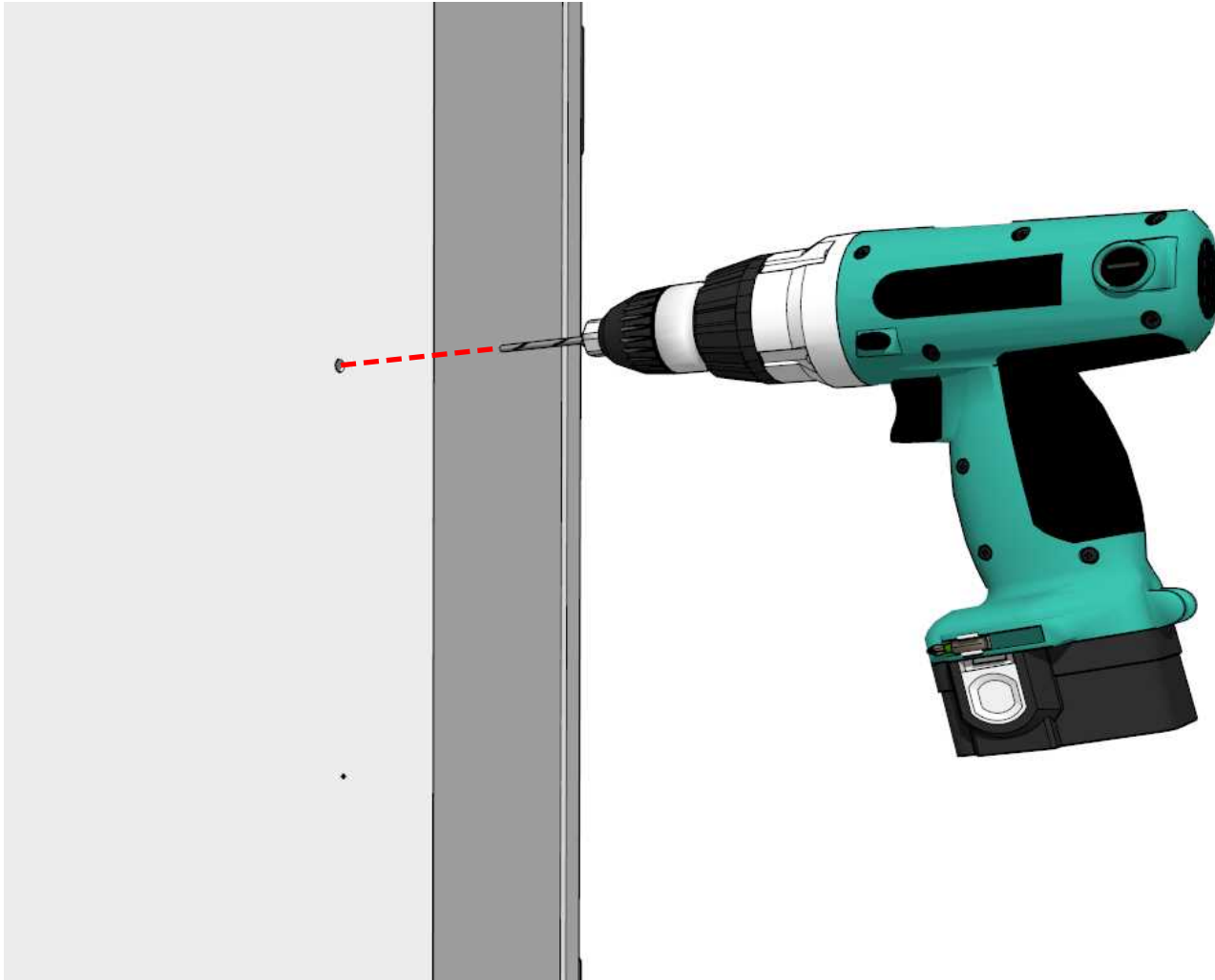


**Note: since there are many different configurations for trailer doors, it may be necessary to trim a Fairing down in order to fit between hinge straps**



## Proper Mounting Procedure for Side Fairings

**Step 3: Using a 5/16 drill bit, drill (2) holes at marks, all the way through the side of trailer.**

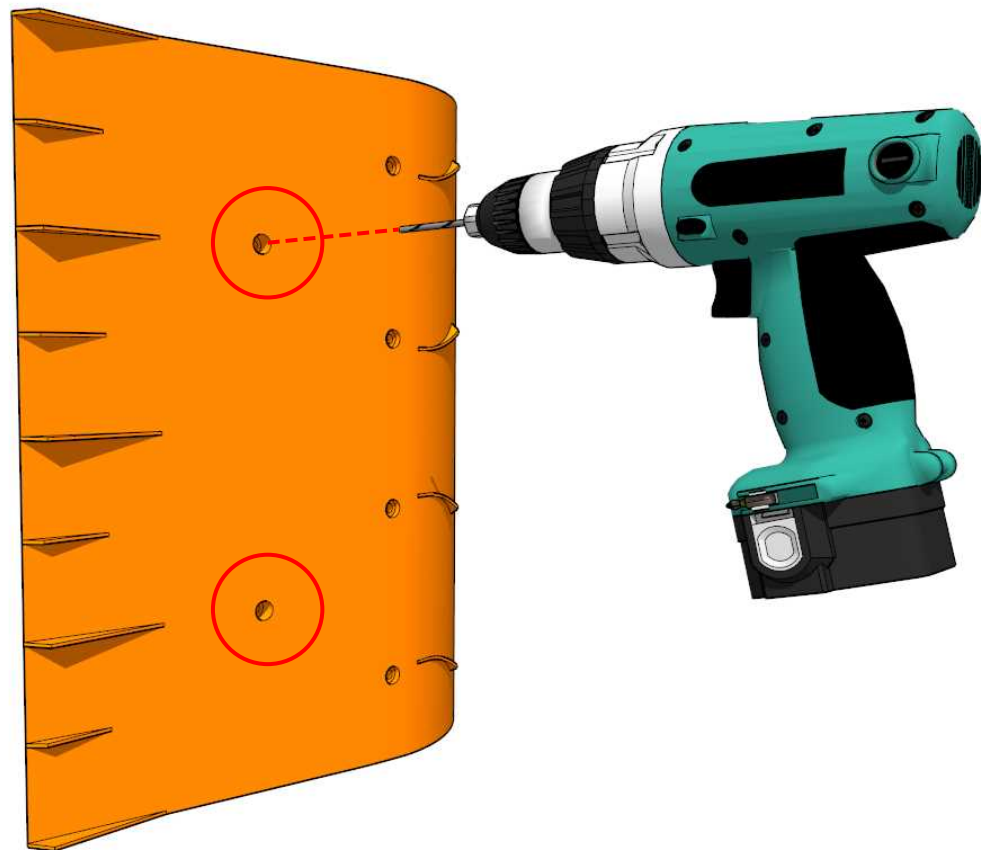


**Note: The Fairing is designed so that a variety of bolt sizes can be used. In this manual 1/4-20 bolts are used.**



## Proper Mounting Procedure for Side Fairings

Step 4: Using a 5/16 drill bit, drill out the (2) holes circled below.

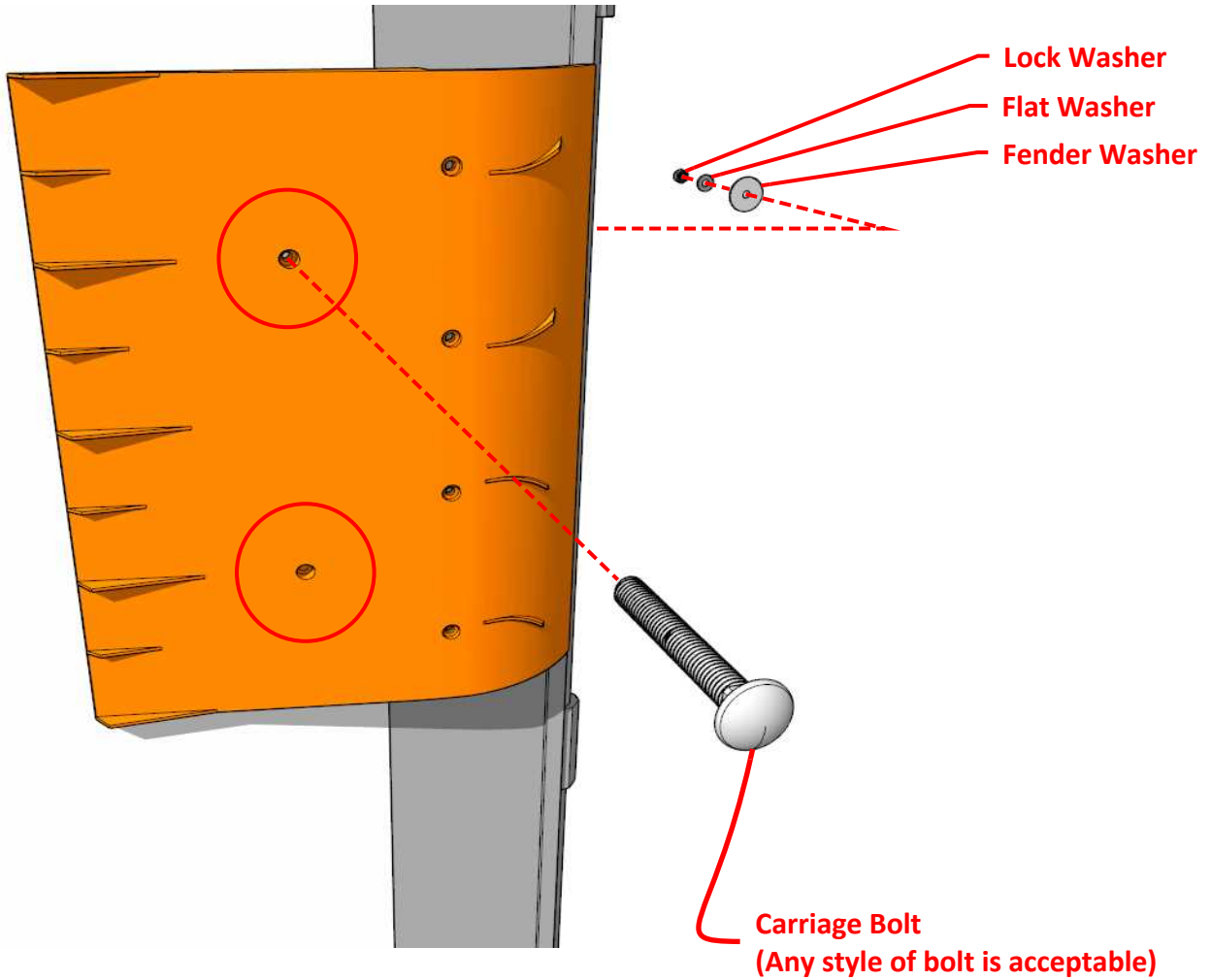


**Note: The Fairing is designed so that a variety of bolt sizes can be used. In this manual 1/4-20 bolts are used.**



## Proper Mounting Procedure for Side Fairings

**Step 5: Using the hardware depicted below, secure Fairing to the trailer at both holes.**





## Proper Mounting Procedure for Side Fairings

**Final Assembly:**



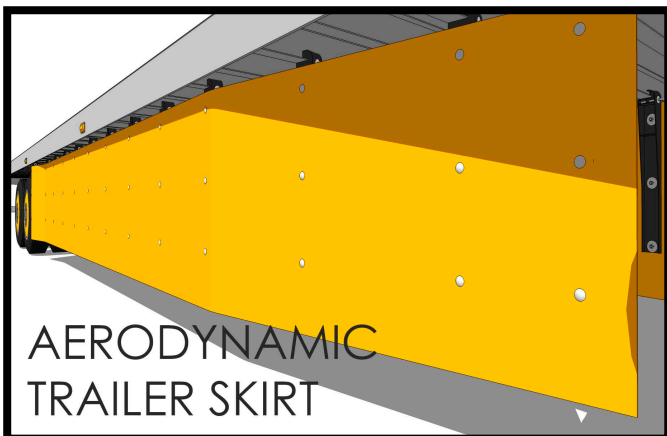


## Proper Mounting Procedure for Side Fairings

Should any questions arise about this or any other Aerotech Caps product, please feel free to contact us at:

616-252-9110

**Visit our website for more fuel saving options!**



**[www.aerotechcaps.com](http://www.aerotechcaps.com)**

**Thank you for being an Aerotech Caps customer!**