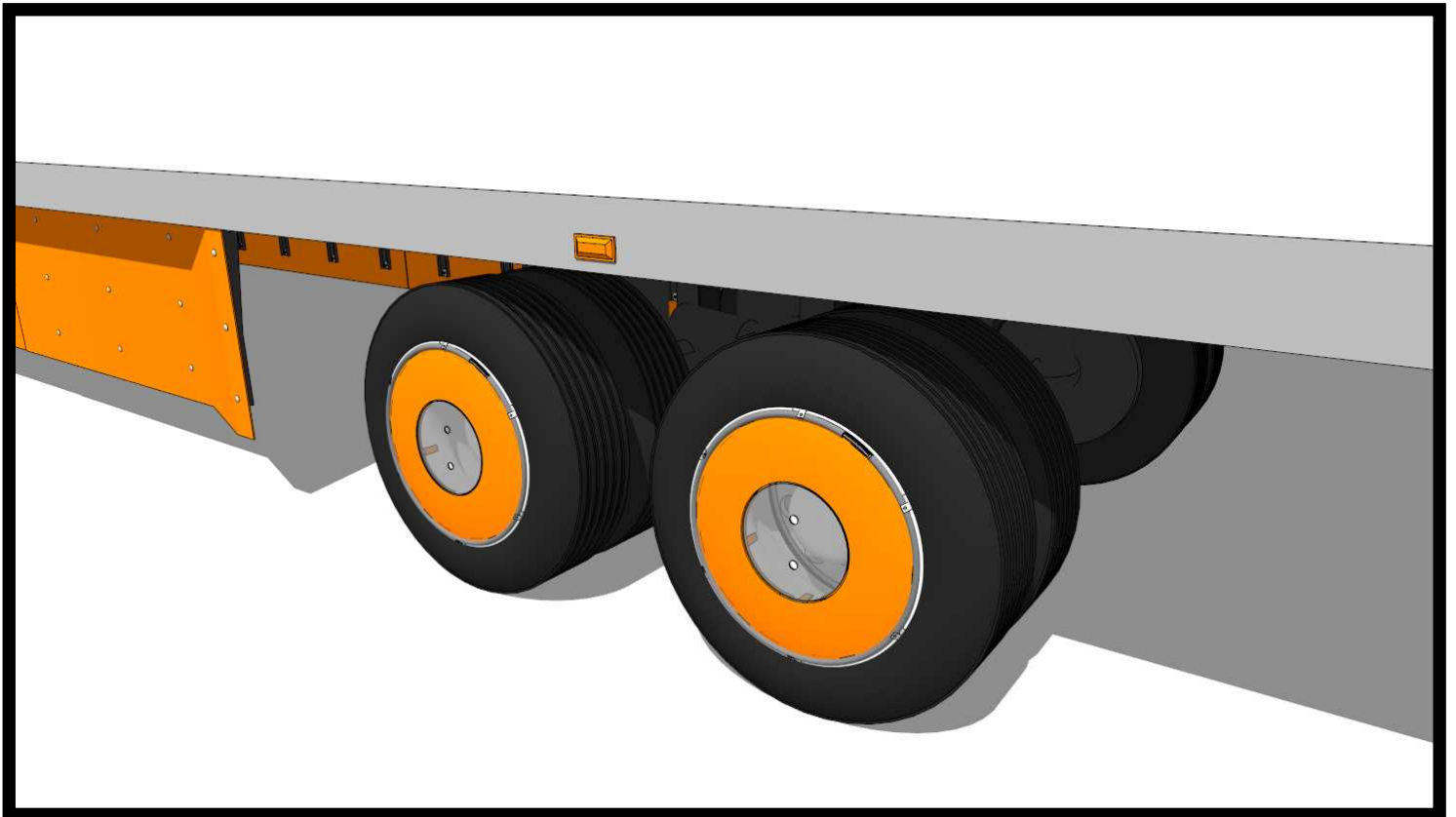




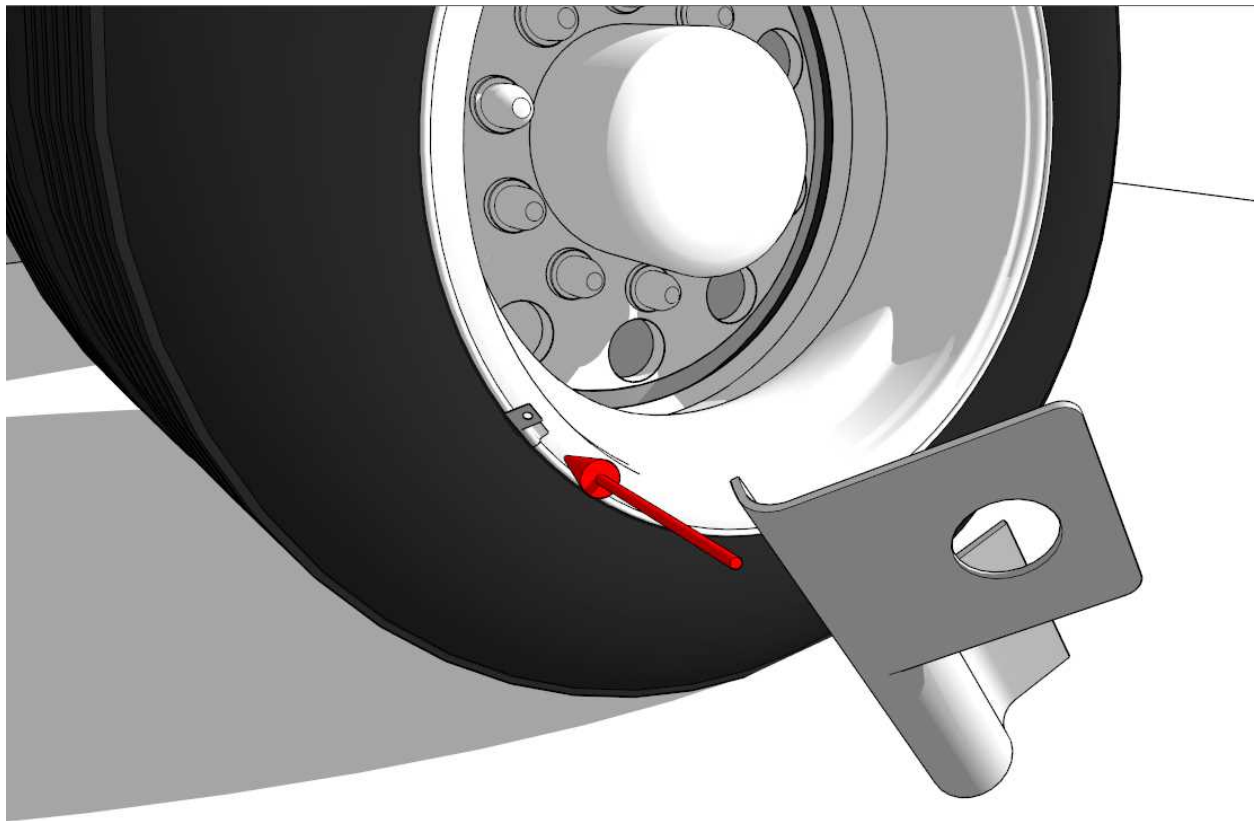
Installation Instructions:
Wheel Covers
-for-
Steel Rims





Proper Mounting Procedure for Wheel Covers

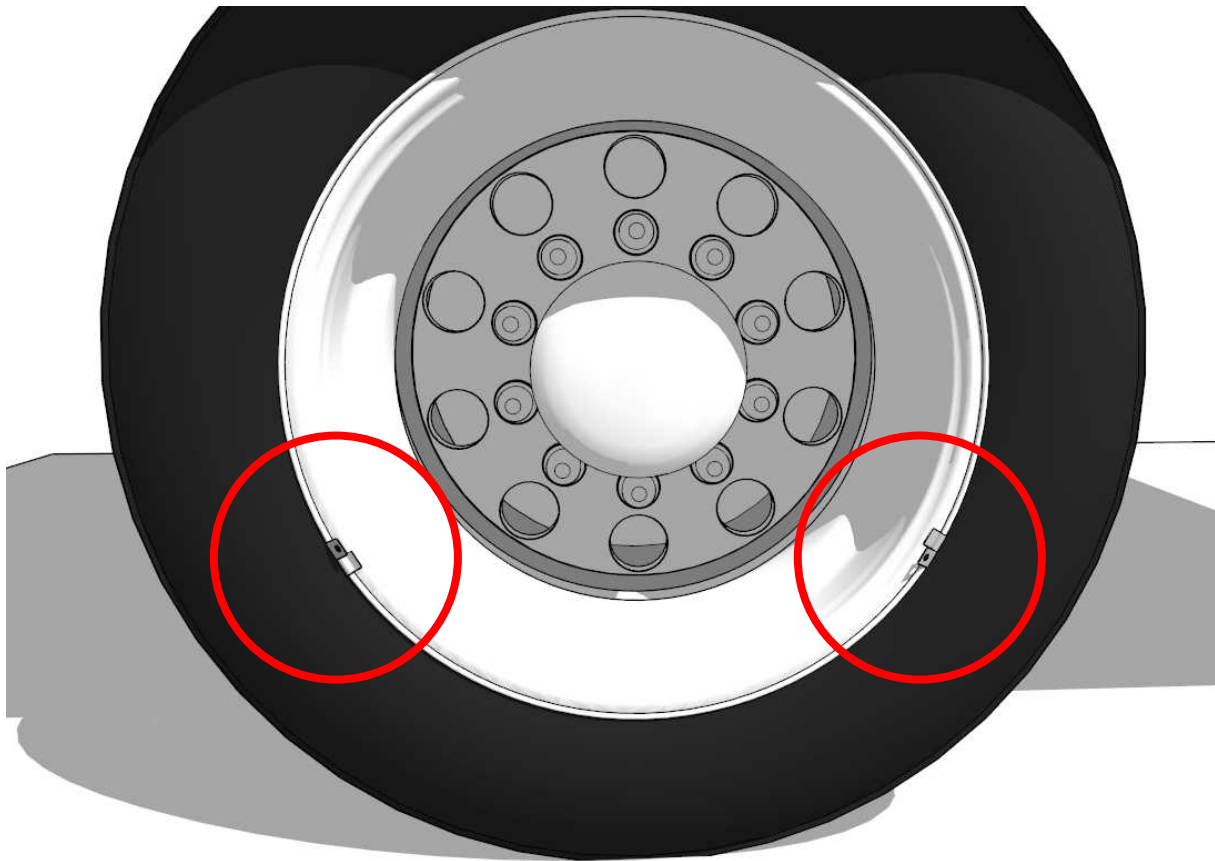
Step 1: Using a hammer, tap Clip onto the outer edge of rim at the "8 o'clock" position. Do not strike clip too hard to avoid ruining clip's built-in tension.





Proper Mounting Procedure for Wheel Covers

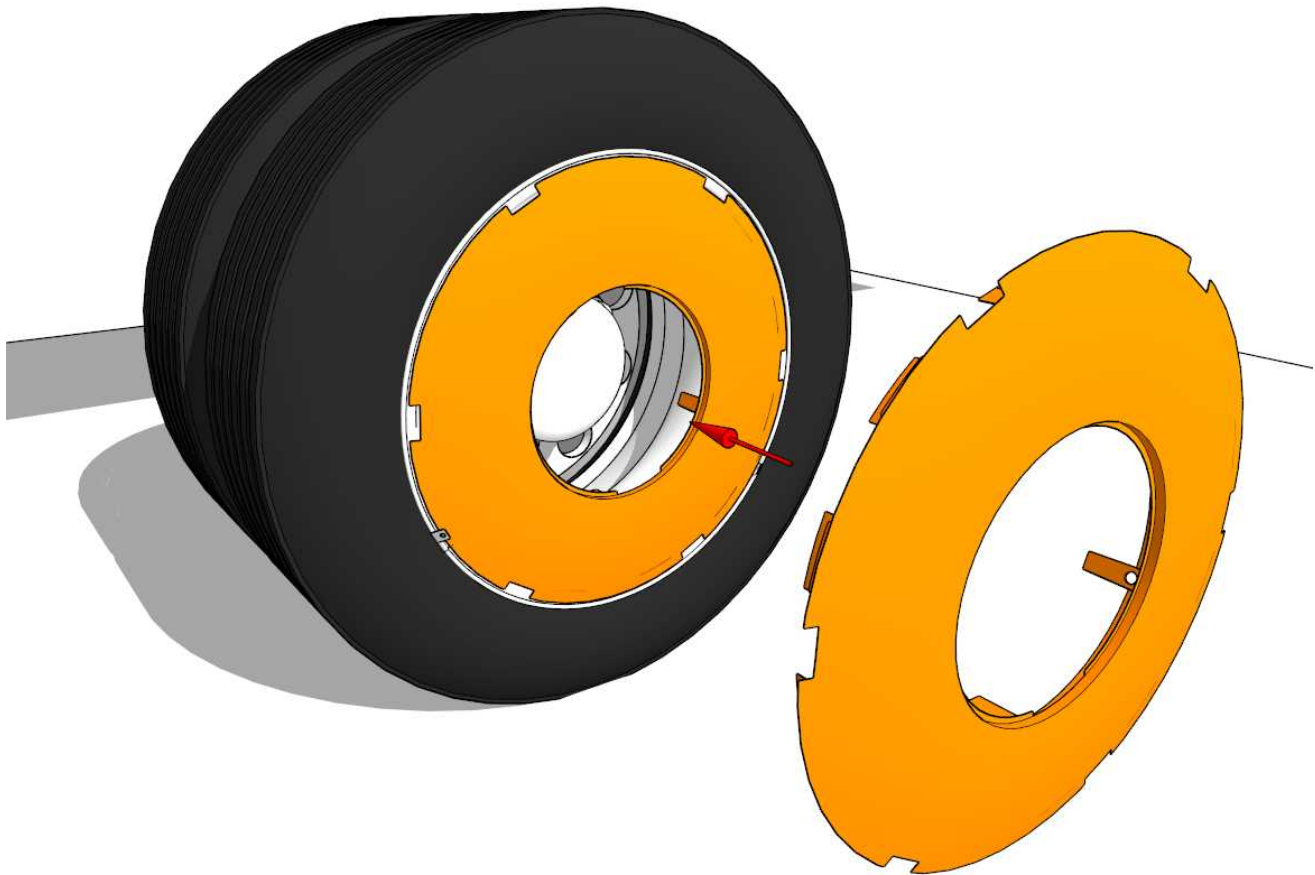
Step 2: Using the same method, place another Clip at the "4 o'clock" position.





Proper Mounting Procedure for Wheel Covers

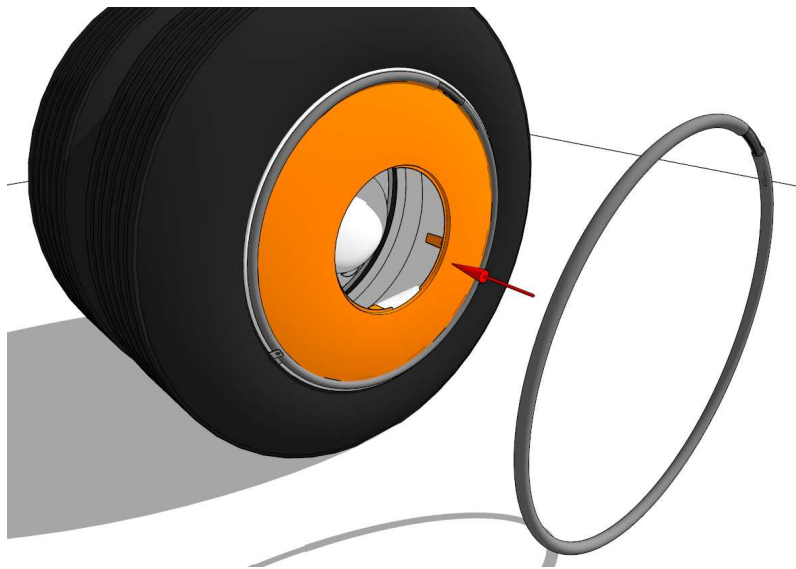
Step 3: When Clips are secured, place Wheel Cover onto rim as shown



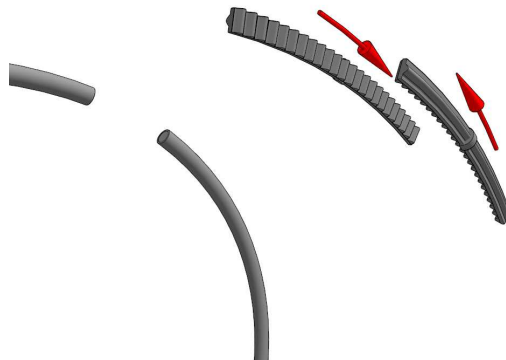


Proper Mounting Procedure for Wheel Covers

Step 4: Secure Wheel Cover to rim using the Retaining Ring. The Retaining Ring should fit snugly inside the rim, between the Wheel Cover and Clips. The Retaining Ring should snap into place.



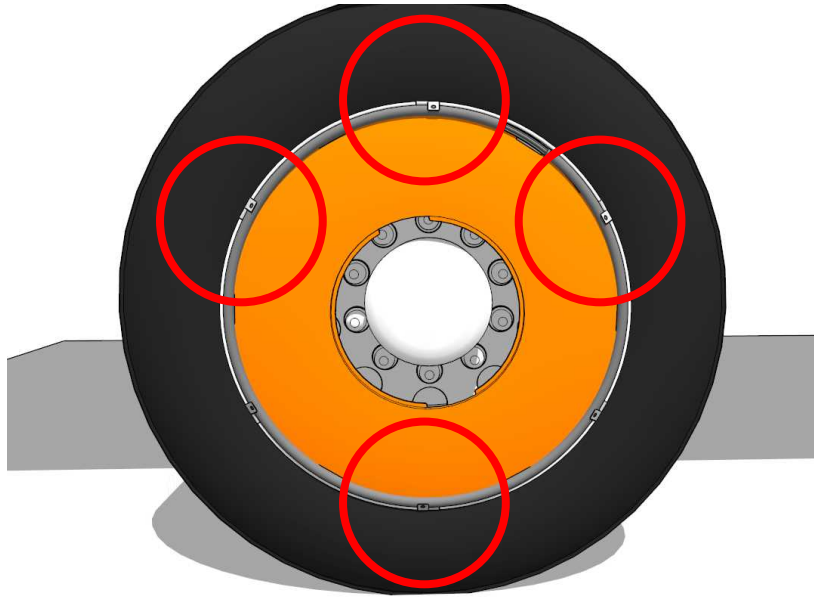
If adjustment is necessary, remove Adjustable Joint from Retaining Ring. Move stops apart or closer together as needed. Replace Adjustable Joint back into Retaining Ring and fit into rim. Continue to adjust as necessary to ensure a tight fit into the rim.



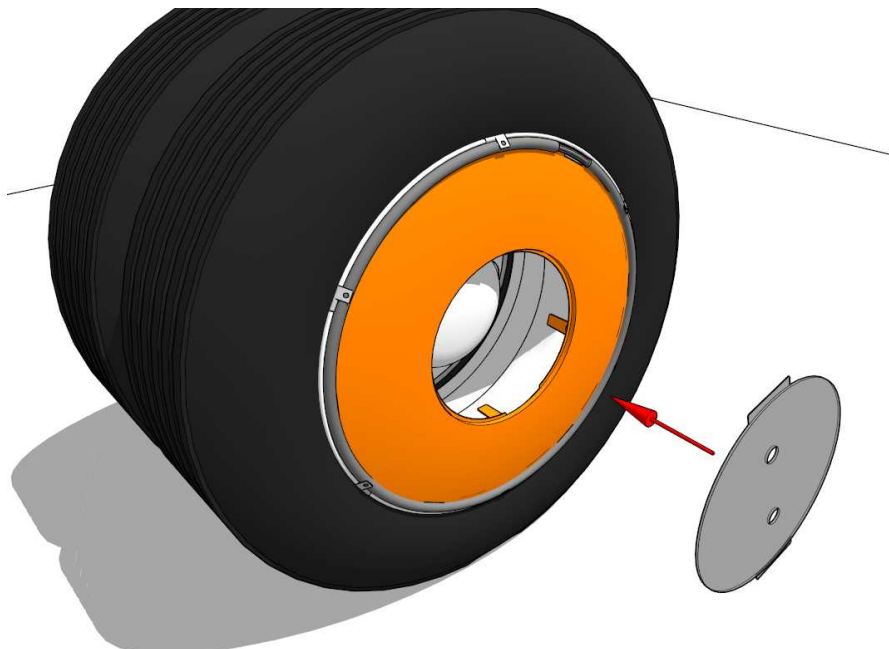


Proper Mounting Procedure for Wheel Covers

Step 5: Use hammer to tap remaining (4) Clips into place. Place Clips at 10, 12, 2, and 6 o'clock position.



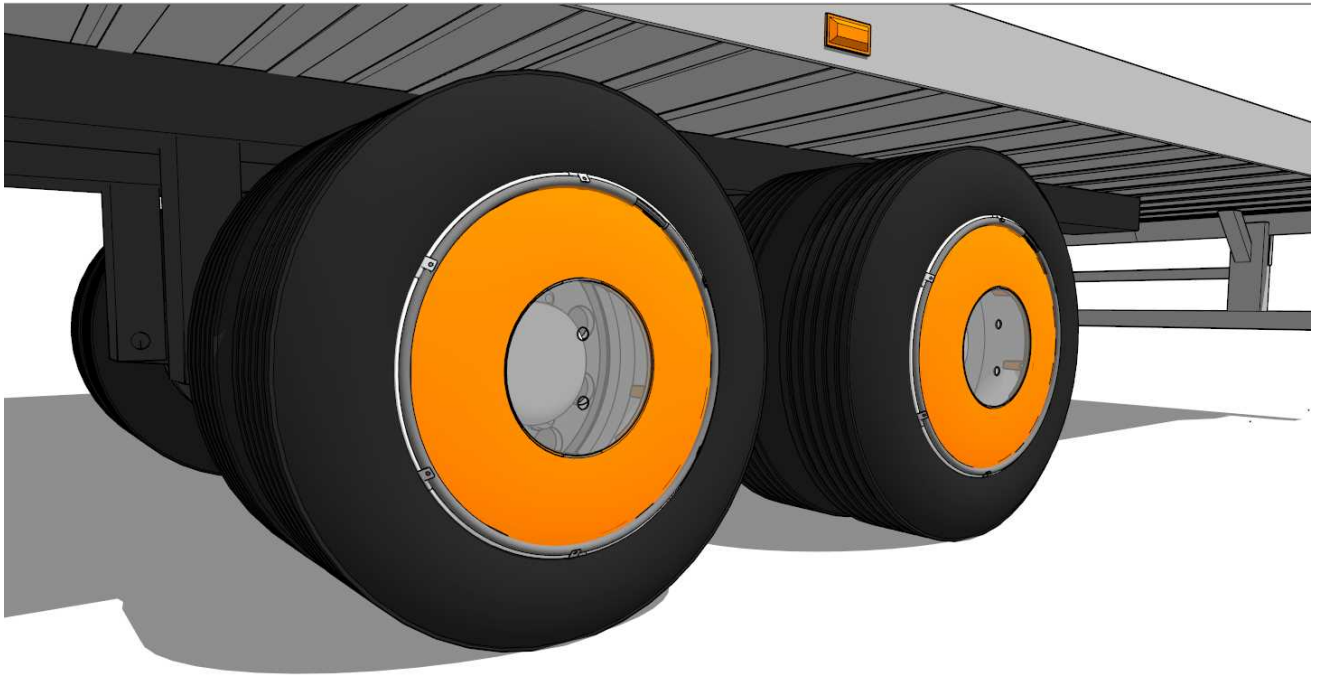
Step 6: Place Center Hub into Wheel Cover, aligning tabs on Center Hub with the notches on the Wheel Cover. It will be necessary to slightly flex the Center Hub so that it fits into both notches.





Proper Mounting Procedure for Wheel Covers

Final Assembly:



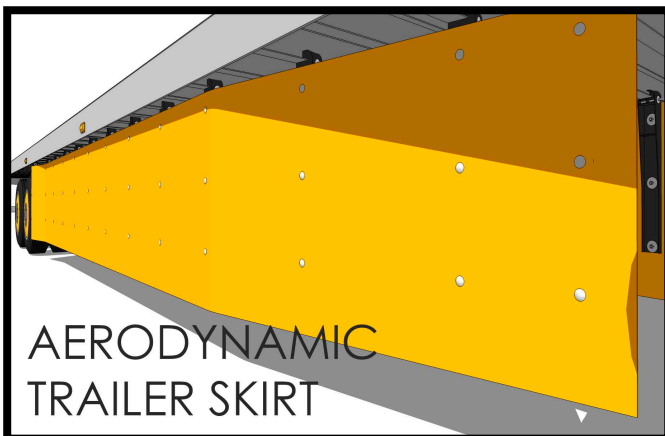


Proper Mounting Procedure for Wheel Covers

Should any questions arise about this or any other Aerotech Caps product, please feel free to contact us at:

616-252-9110

Visit out our website for more fuel saving options!



www.aerotechcaps.com

Thank you for being an Aerotech Caps customer!