



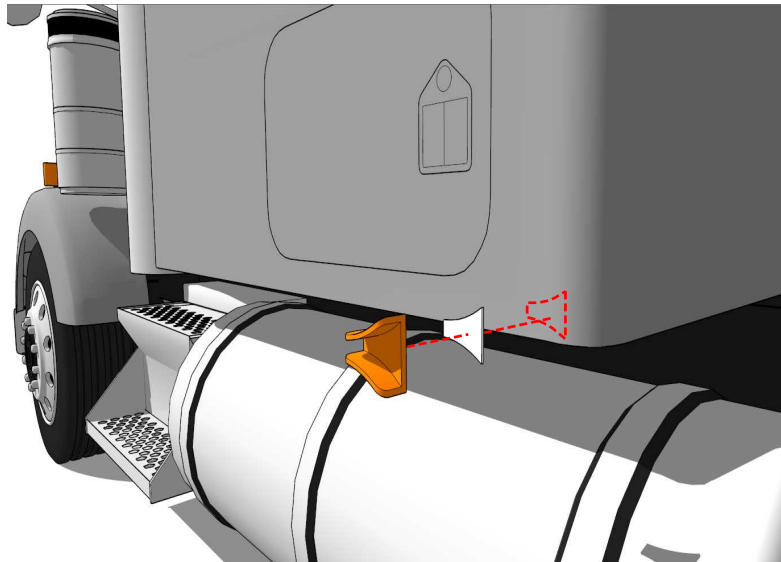
**Installation Instructions**  
**-for-**  
**Vortex Generators**



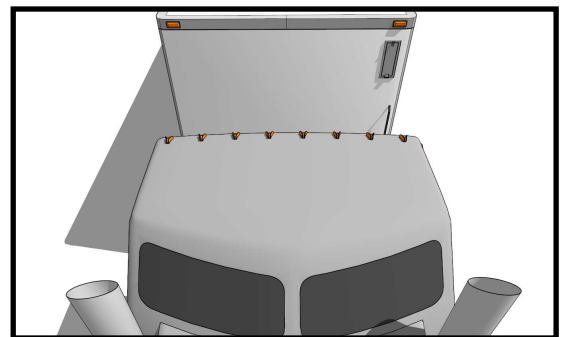
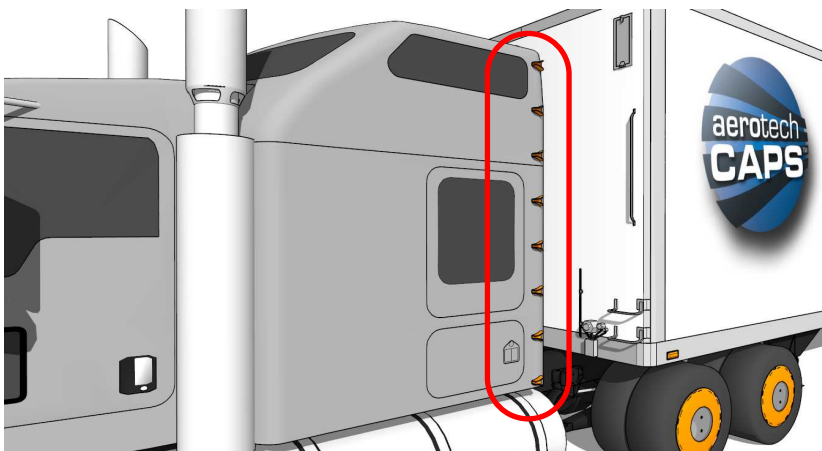


## **Proper Mounting Procedure for Vortex Generators**

**Step 1: Locate a flat place on the back end of the truck. Peel off protective covering from one side of the double-stick adhesive piece and place on truck, aligned with the bottom edge. Be sure the entire surface of adhesive is engaged onto a flat surface. Press for 30 seconds. Peel off the remaining protective covering and firmly press Vortex Generator into place, oriented as shown below. Press for 30 seconds.**



**Step 2: Repeat Step 1 to affix Vortex Generators every 12", working your way up the side of the truck. As you get closer to the roof, you may need to adjust the spacing so there's no large gap at the top.**



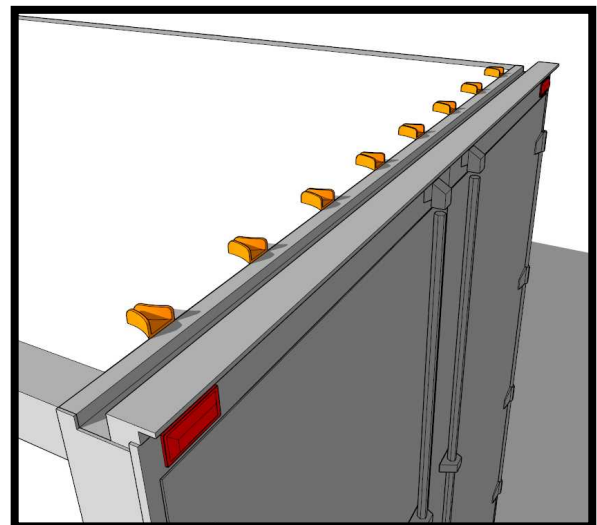
**Repeat Step 1 for the Vortex Generators for the roof, maintaining a 12" spacing.**



## Proper Mounting Procedure for Vortex Generators

**OPTIONAL: An additional Vortex Generator kit may be used for the rear of the trailer, repeating the same steps. This will add another 1% in fuel savings.**

Place Vortex Generators as shown below, in front of the rear trim, to avoid damage.



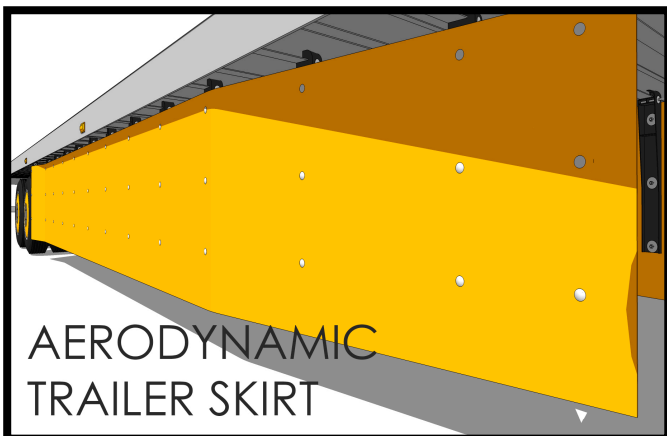


## Proper Mounting Procedure for Vortex Generators

Should any questions arise about this or any other Aerotech Caps product, please feel free to contact us at:

616-252-9110

Visit our website for more fuel saving options!



[www.aerotechcaps.com](http://www.aerotechcaps.com)

Thank you for being an Aerotech Caps customer!